

PAC 65-I

I FOR INDOOR : BOILER REPLACEMENT

PUISSANCES DE 9 À 24 kW



PAC 65-i



PAC 65-i INDOOR HEAT PUMP

SDEEC has focused its product development on combining comfort and performance. Incorporating your heat pump into your home optimises space and maintains the authenticity of your exterior.

The compact PAC 65-i (65 cm wide x 142 cm high) will easily fit into the space occupied by your end-of-life boiler in the cellar or garage. Its latest-generation centrifugal fan means that openings (intake and discharge) can be kept down to a diameter of 40 cm.



The fan's power means that up to 5 metres less pipe is required without any reduction in heat pump performance. We have placed the emphasis on soundproofing to achieve a sound level equivalent to a conventional boiler.

The PAC 65-i uses Copeland EVI technology, meaning that performance is maintained even at extreme outdoor temperatures.



Tableau des caractéristiques PAC 65 - i

Conditions Nominales Chaud : Température air extérieur +7°C (DB) 6°C (WB) - Entrée d'eau 30°C - Sortie d'eau 35°C

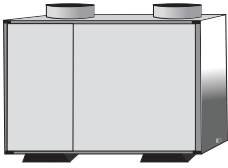
PAC 65 - i	P. CHAUF. MAISON	P. FROID MAISON	PUISSANCE ABSORBÉE CHAUD	C.O.P CHAUD	TENSION	INTENSITÉ MAX.	FLUIDE	DÉBIT D'EAU	RACCORDS	POIDS	DIMENSIONS H - L - P	Lp à 10 M
PAC 65-i - 09M	9050	Option	2200	4.1	230/1/50Hz	22	R407C	0.98	1" [26x34]	138	88/142/65	34
PAC 65-i - 13M	13100	Option	3200	4.1	230/1/50Hz	31	R407C	1.41	1" [26x34]	157	115/142/65	34
PAC 65-i - 13T	13000	Option	3100	4.2	400/3+N/50Hz	13	R407C	1.40	1" [26x34]	157	115/142/65	34
PAC 65-i - 18 T	18500	Option	4500	4.1	400/3+N/50Hz	15	R407C	1.99	1" [26x34]	162	115/142/65	36
PAC 65-i - 24T	24000	Option	5700	4.2	400/3+N/50Hz	19	R407C	2.59	1" ^{1/2} [40x49]	220	115/142/65	36
	Watts	Watts	Watts	C.O.P	Volts	A	Fluide	m ³ /h	Pouces	kg	cm	dB(A)

Schéma d'implantation - Scheme of installation - Esquema de instalación

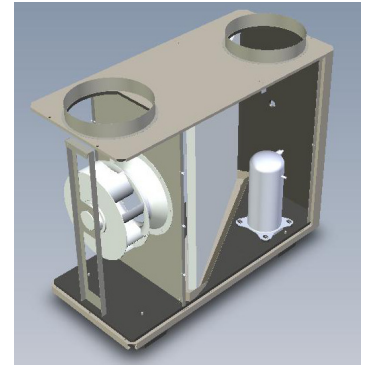
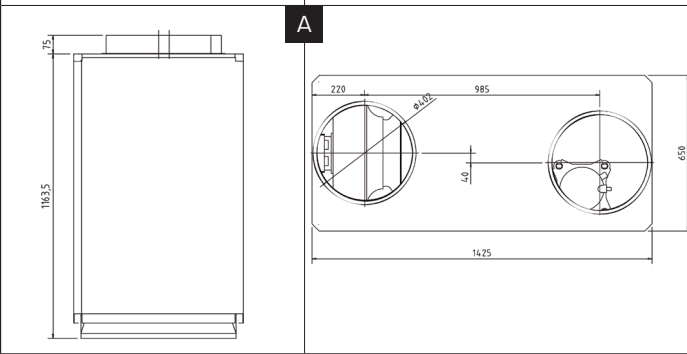
09 - 24kW

Vue de profil
Side view
Vista lateral

Vue de dessus
Top view
Vista superior



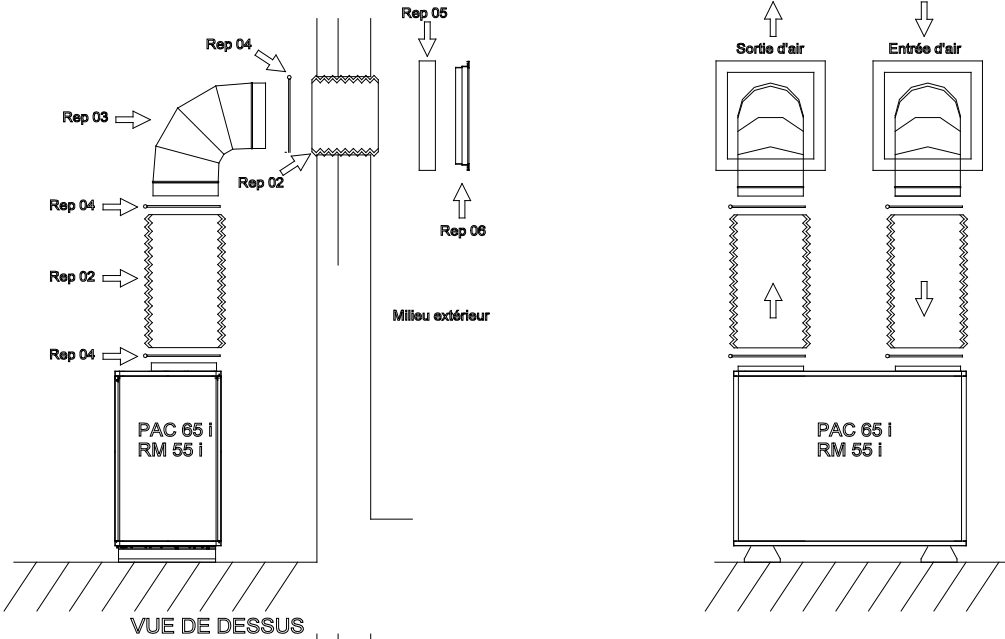
A



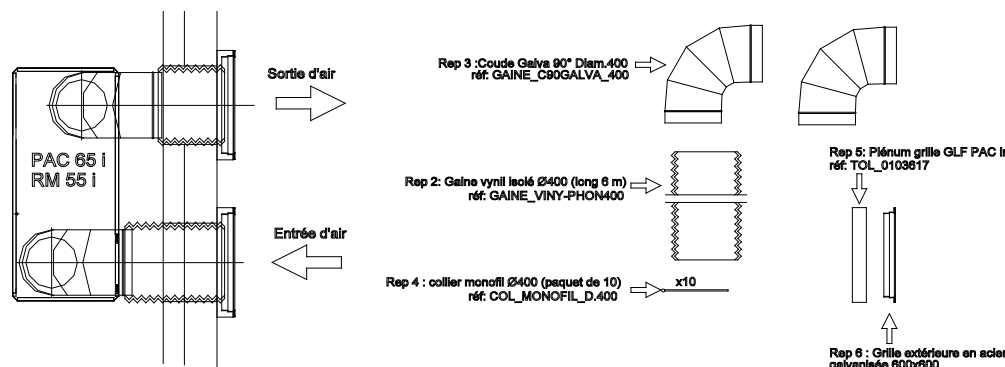
In their quest for perfection, our design engineers have incorporated SDEEC V3 control into the PAC 65-i. With its new functions, it will meet the demands of users and installers alike :

VUE DE PROFIL (éclaté)

VUE DE FACE (éclaté)



User comfort with remote control, off-peak period and special tariff management as standard, optimised defrosting cycles via pressure sensors and «Self-test» mode for installers to check satisfactory performance of each component.



For simpler maintenance and commissioning, the PAC 65-i has an instantaneous gas pressure display. And no more need for a manifold! Finally, the alarm and fault histogram gives accurate information about the operation of your PAC 65-i.

Tableaux de puissances PAC 65-i

		TEMPÉRATURE ENTREE AIR EVAPORATEUR				
		-15°C	-10°C	-4°C	0°C	+7°C
T/C SORTIE EAU	PAC 65-i 09M					
	Puiss. à 50°C [Watts]	5400	5940	6960	7780	9350
	Puiss. Absorbée [Watts]	3000	3300	3480	3536	3740
	Puiss. à 65°C [Watts]	5610	6250	7500	7900	9200
	Puiss. Absorbée [Watts]	3506	3676	4167	4158	4600
T/C SORTIE EAU	PAC 65-i 13M/T					
	Puiss. à 50°C [Watts]	7600	8700	10200	11400	13700
	Puiss. Absorbée [Watts]	3800	4244	4636	4750	5074
	Puiss. à 65°C [Watts]	8000	9200	11000	11600	13500
	Puiss. Absorbée [Watts]	4444	5111	5500	5524	6136

		TEMPÉRATURE ENTREE AIR EVAPORATEUR				
		-15°C	-10°C	-4°C	0°C	+7°C
T/C SORTIE EAU	PAC 65-i 18T					
	Puiss. à 50°C [Watts]	10700	12400	14600	16200	18500
	Puiss. Absorbée [Watts]	5350	5905	6348	6750	6852
	Puiss. à 65°C [Watts]	10800	12500	14500	15700	18000
	Puiss. Absorbée [Watts]	6353	6944	7436	7850	8571
T/C SORTIE EAU	PAC 65-i 24T					
	Puiss. à 50°C [Watts]	13000	15600	18900	21200	25200
	Puiss. Absorbée [Watts]	6500	7091	8217	8480	9000
	Puiss. à 65°C [Watts]	14000	16500	19700	21800	25500
	Puiss. Absorbée [Watts]	7568	8684	9381	9909	11591